

Date: July 4th, 2018

Doc. No.: ESBC-0001

Document Version: V1.0

Issue by: James Wang

MIO-128 Connector Selection

Purpose

Help user to select appropriate MIO-128 connector on I/O board side.

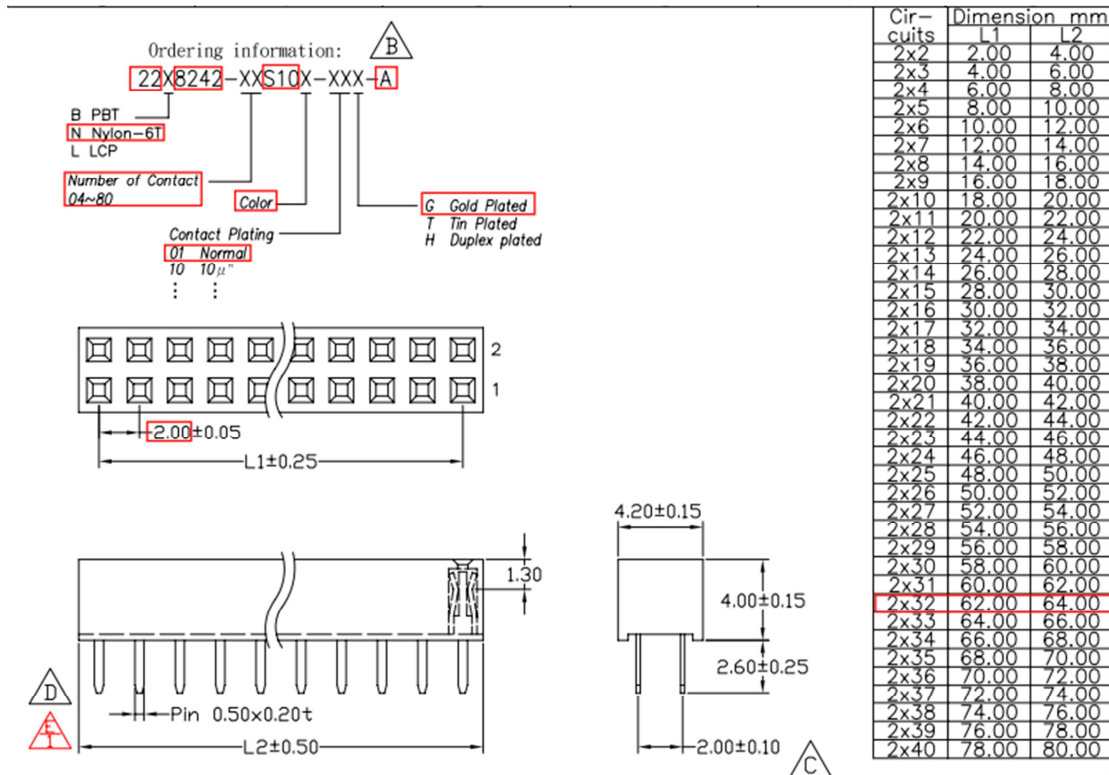
Description

Advantech suggest to use JVE 22N8242-64S10B-01G-A for MIO-128 connector on I/O board side.

Vendor: JVE (Jih Vei Electronics Co., LTD.)

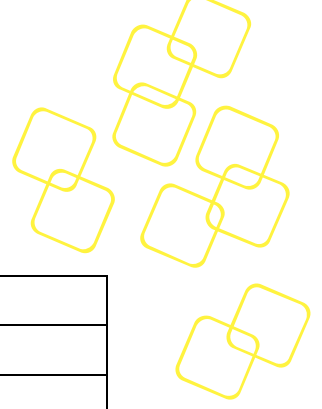
Part No.: 22N8242-64S10B-01G-A

Reference Drawing: (for more detail, you may contact JVE directly or Advantech.)





Enabling an Intelligent Planet



Compatible Product

Product	Description
MIO-3260 series	Intel® Atom™ E3800 Series & Celeron® N2930 Pico-ITX SBC
MIO-3360 series	Intel® Pentium® N4200 & Celeron N3350 Pico-ITX SBC